

TIRED OF THE
EXPENSIVE COST
OF REPLACING THE
PETERBILT HANGER
STEEL WEARPAD
OR THE
OEM HANGER ITSELF?

**WE HAVE
THE SOLUTION...**



GSM Innovative Products, Inc.
4240 County Line Road
Lenox, MI 48050
Phone: 586-727-9346
info@warepad.com



EVER-DURABLE WAREPAD
A Suspension Protection System



**Poly Warepads
for the
Peterbilt Air Trac
Hanger**

The answer to your Hanger problems.

www.warepad.com

HOW CAN EWP POLY WAREPADS HELP THE PETERBILT AIR TRAC SUSPENSION?

- EWP Poly Warepads separate "STEEL ON STEEL"
- Protects and extends the life of the Steel Wearpad
- Can eliminate the replacing of the OEM Hanger
- Reduces noise
- Provides a cushion between the "Steel on Steel"
- Improves ride quality
- Can be easily inspected

The Peterbilt Steel Wearpad can be over 3 times the cost of the EWP Poly Warepad.

PROTECT VS REPLACE!

PETERBILT AIR TRAC SUSPENSION

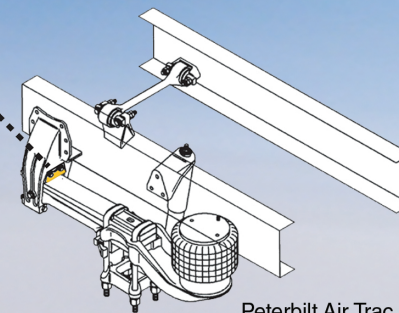
EVER-DURABLE POLY WAREPAD FOR THE PETERBILT AIR TRAC HANGER



Part Number: EWP-PT



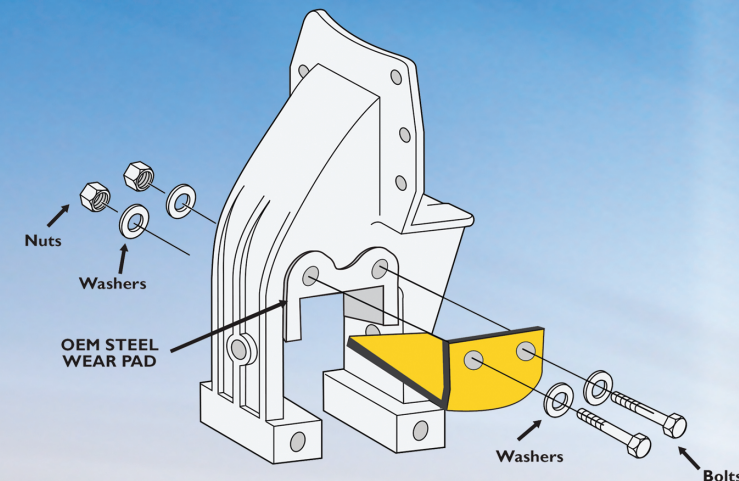
Pictured: EWP Hanger Poly Warepad installed over OEM Wear Pad



Peterbilt Air Trac Suspension

SIMPLE INSTALLATION

- Remove existing fasteners from Steel Wearpad
- Drill Hole into EWP Poly Warepad
- Re-install fasteners
- Please see our Installation Instructions for a complete step by step instruction



EWP Peterbilt Warepad fits the Peterbilt Hanger Assembly#: 0148280M002, 01-48280M002, Dayton: 338-1240, Flagg: E752-75, Automann: M1750

I wound up installing the EWP Warepads over our worn Peterbilt wearpads. We have about 176,000 miles on the EWP Warepads so far. They are hardly worn and there have been no issues. The EWP Warepads really quiet everything down and my driver says the truck rides better with them.

But, what I really like is the cost! Replacement Flagg wear pads cost \$80.00 plus bolt cost for each hanger. The Peterbilt price is lots more.

I'll be ordering more sets for my other trucks.

Thanks!
Kent Harris
Kent Harris Trucking, CA

EWP Warepads are available for OEM Equalizers and Hangers including but not limited to: Reyco® Hutch® Pro-Par® Binkley® Evely®

Warepads are also available for Truck/Tractor Suspensions including but not limited to: Peterbilt Air Trac Reyco 101