

# WAREPAD PART NUMBER: EWP BP - INSTALLATION INSTRUCTIONS

**SAFETY FIRST:** OSHA guidelines should be followed at all times.

**RECOMMENDED:** It is recommended that all cross members of the dump box be installed with EWP Box Pads. This will ensure a level dump box when it is lowered onto the main frame. If you choose not to install the entire frame, it may cause the dump box to be unlevel and cause the improper wear of the Box Pad.

## BEFORE STARTING BOX PAD INSTALLATION:

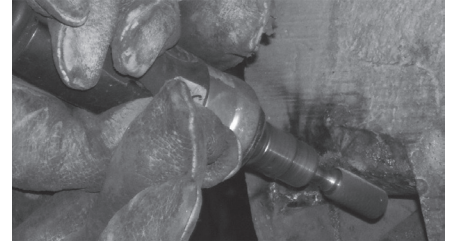
### A. ASSESS DUMP BODY HINGE HEIGHT.

B. There must be enough allowance in the hinge for the dump body to properly land on the main frame of the trailer with the additional height of the box pad. EWP Poly Box Pad is 1/4" thick.

**IMPORTANT!** Do not install over an existing wear pad. Dump box hinges have been engineered at a certain hinge height. If EWP Box Pads are installed over an existing wear pad it may cause excessive pressure on the dump box.

## PREPARATION OF DUMP BOX CROSS MEMBERS AND MAIN FRAME:

A: Remove existing wear pads, protection products, old existing welds and fasteners on the cross member wear surface of the dump box. If needed, chamfer (sloping edge) and smooth down the the fastening surface edges so that the inside bend of the EWP Box Pad will not be pressing against a sharp edge.



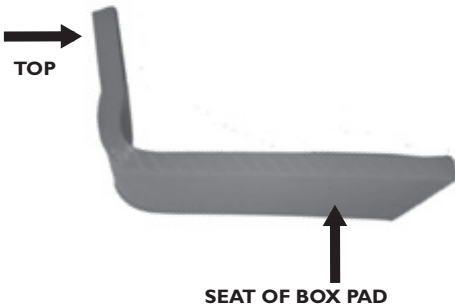
### Attachment Hardware per Box Pad:

- 2 - 3/8" Self-Tapping Bolt
- 2 - 3/8" x 1 1/2" Heavy Duty Fender Washer
- 2 - 3/8" Lock Washers

### Equipment/Tools Needed for Installation:

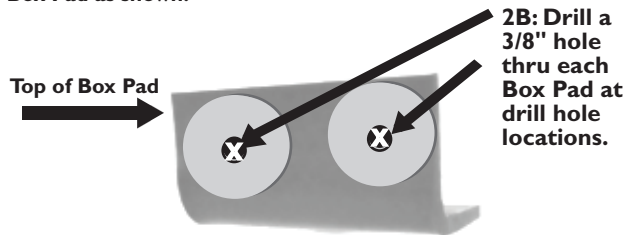
- 3/8" Drill Bit
- 1 1/32" Drill Bit
- Drill Motor
- Marking Pen
- 9/16" Open End Box Wrench
- 3/8" Drive Ratchet Wrench
- 3/8" Drive 9/16" Socket
- Red Loctite Series 271

Step 1: Locate top of Warepad. Mark the location as "Top."

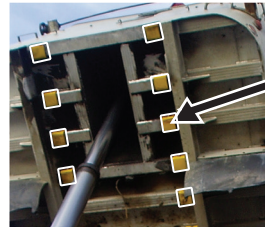


Steps 2A-B:

2A: Use Heavy Duty 3/8" x 1 1/2" Fender Washers as a guide to mark drill hole locations on each Box Pad as shown.

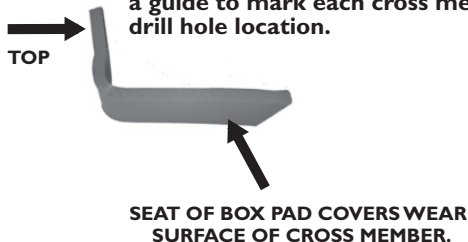


Step 3. Locate wear surface on each cross member of the dump box. This is the points of contact between the dump box and the landing surface of the main frame. If replacing a prior protection product, the seat of the Box Pad will be installed on that surface area.

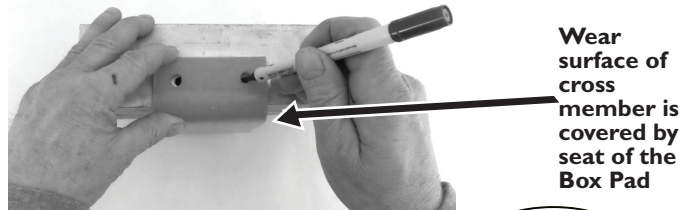


Locate wear surfaces of cross members. (Outlined in white)

Step 4: Use the drilled Box Pad from Step 2 as a guide to mark each cross member Box Pad drill hole location.

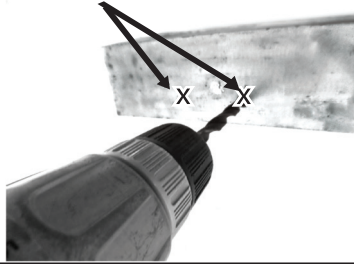


**IMPORTANT!** The top of the Box Pad may be facing toward the front or rear of the trailer. Either way is acceptable. The seat of the Box Pad must cover the wear surface of the cross member.



# WAREPAD PART NUMBER: EWP BP - INSTALLATION INSTRUCTIONS

**Step 5: Drill a 1 1/32" hole into Cross Member at drill hole locations.**



**Steps 6A-C: FASTENER INSTALLATION/TIGHTENING.**

**6A: Use Red Loctite Series 271 on the thread of the bolt when installing fasteners.**

**6B: Install fasteners according to diagram in Step 7.**

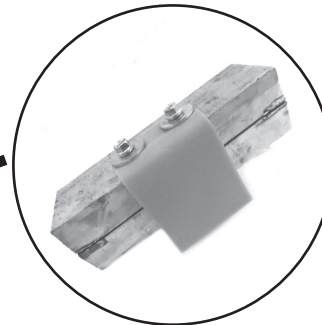
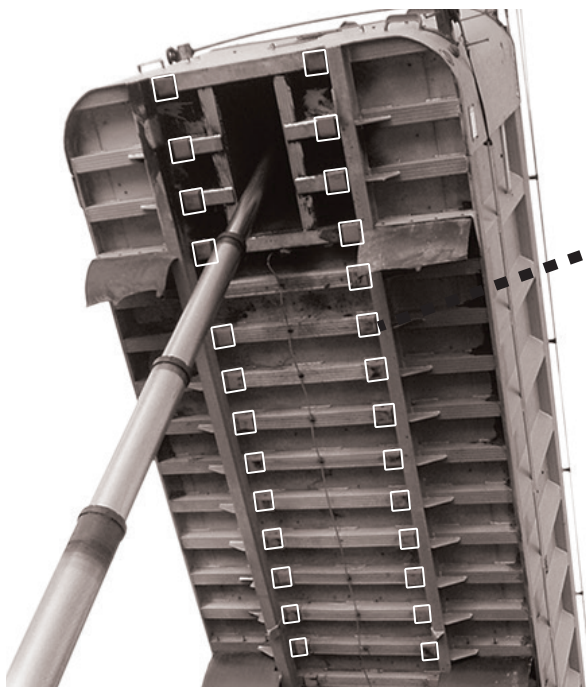
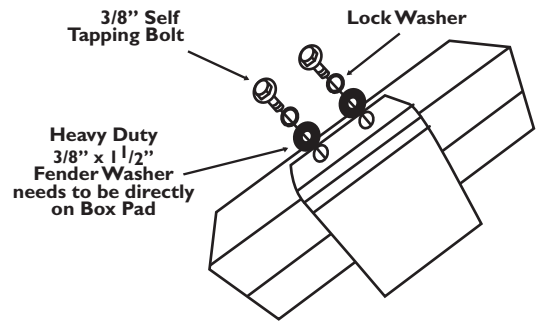
**6C: Bolt Tightness. There is no torque for bolt tightness. Snug the bolt. Bolt tension should be done MANUALLY with a 3/8" Drive Ratchet Wrench, 9/16" Open End Box Wrench and 3/8" Drive 9/16" Socket. Maximum tightening is reached when the Heavy Duty 3/8" x 1 1/2" Fender Washer presses into the polypad surface to cause a minor indentation. The washer may bend slightly.**

**CAUTION! DO NOT OVER-TIGHTEN TO CAUSE the washer to invert or buckle or snap off bolt.**



**Step 7: Place Box Pad onto underside of Cross Member. Line up holes. Install fasteners MANUALLY (Steps 6A-C) with Red Loctite Series 271 on the thread of the bolt.**

**VERY IMPORTANT! See Steps 6A-C for Fastener Installation/Tightening. Fasten each Box Pad in place.**



**Pictured: An Installed Box Pad**

**On this trailer, Box Pads were installed on all cross member landing surfaces (outlined in white).**

## **Box Pad Maintenance Recommendation immediately after installation:**

Once the weight of the dump body has been dropped back down upon the frame of the trailer, it is recommended to re-check the fastener tightness. The weight of the dump box may cause the Box Pad to compress.

If the Box Pad is loose, re-tighten the fastener MANUALLY with a 3/8" Drive Ratchet Wrench, 9/16" Open End Box Wrench and 3/8" Drive 9/16" Socket so that the Box Pad is being held tightly to the cross member by the fastener system. There is no torque for tightness. Maximum tightening is reached when the washer that is directly on the Box Pad presses into the polypad surface to cause a minor indentation. The washer may bend slightly. **DO NOT OVER-TIGHTEN** to cause the washer to invert or buckle or snap off bolt.

**It is recommended to inspect the Box Pad during routine maintenance schedules and during PM's.**

**Visit: [www.warepad.com](http://www.warepad.com) for additional help.**