



EVER-DURABLE WAREPAD
A Suspension Protection System

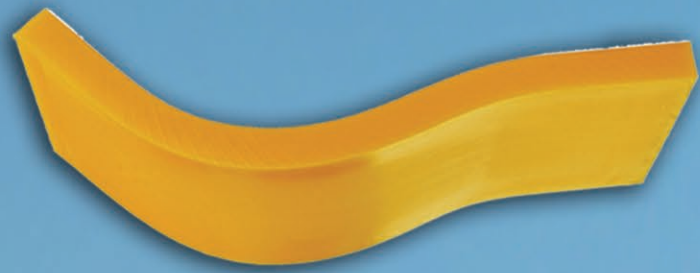
INSPECTION AND MAINTENANCE PROCEDURES

www.warepad.com | Made in USA
Helpline: 586.727.9346

Warning! Always use O.S.H.A approved trailer lifts and blocking when raising or working under any trailers.

Don't Forget!...
- DON'T LEAVE THE TRAILER'S SUSPENSION UNPROTECTED
- INSPECT EWP DURING PM'S

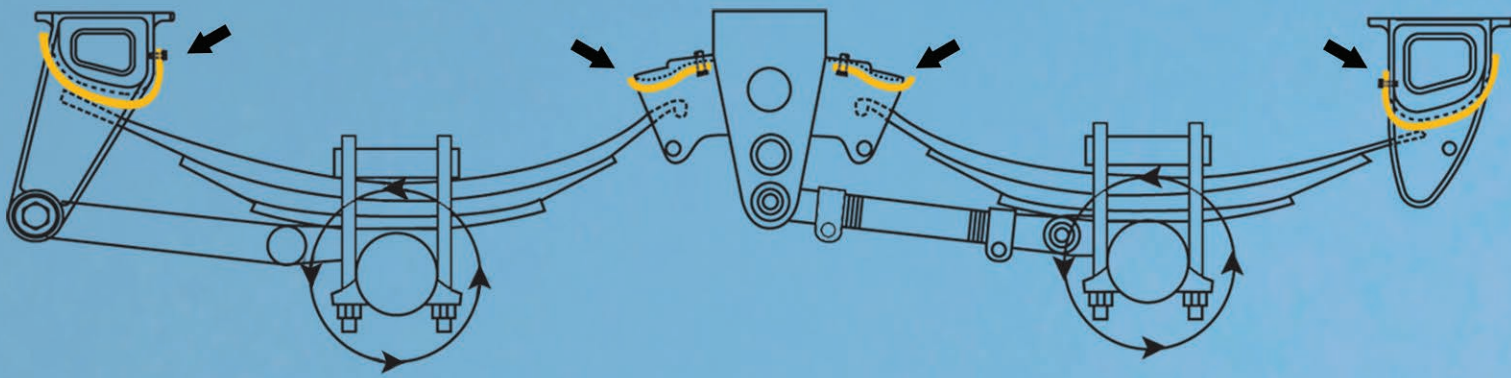
Equalizer Warepad



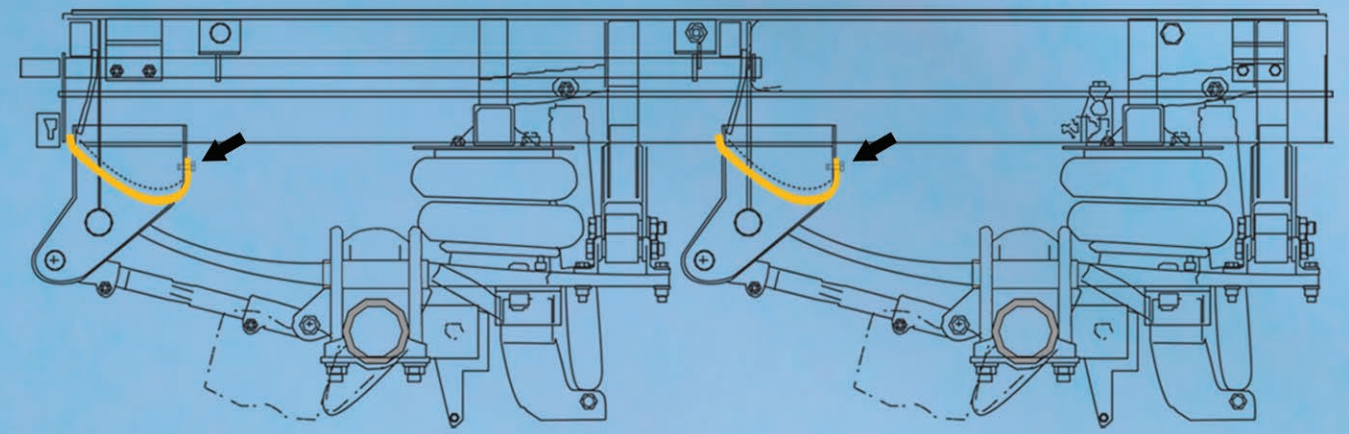
Hanger Warepad



Ever-Durable Warepads Installed

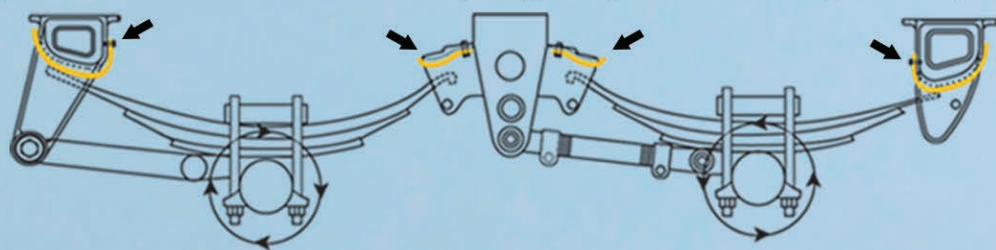


Spring Suspension



Air/Spring Suspension

1 WAREPAD INSPECTION: Check installed OEM Hanger and installed OEM Equalizers. During inspection it is recommended to lift the suspension off of the Warepad pressure points. (Pictured here: tandem axle spring suspension configuration)



1A Check to make sure entire Warepad is intact. If Warepad is partially or completely missing. STOP! Replace Warepad. If intact go to 1B.

Equalizer Warepad



Hanger Warepad



1B Check thickness of Warepad at its thinnest wear point. Recommended: Replace pad if worn to 1/8" at its thinnest wear point.



2 CHECK FASTENER TIGHTNESS TO HANGER WAREPAD AND OEM HANGER: Check to make sure the Hanger Warepad is being held tight to the OEM Hanger by the fastener.

2A Fasteners for the Hanger Warepads are attached in 1 of 3 ways. Inspect each fastener installation. Continue to Step 3 for Equalizer Warepad Inspection.



2B If the Hanger Warepad is tight to the Hanger by its fastener (pictured above), the HANGER WAREPAD INSPECTION IS COMPLETE. Please note: If the Warepad is tightened correctly, the washer that is directly on the Warepad will have a minor indentation into the polypad from the tightening process.

2C If the Hanger Warepad fasteners are loose, proceed to Step 4. Continue to Step 3 for Equalizer Warepad Inspection.

3 CHECK FASTENER TIGHTNESS TO EQUALIZER WAREPAD AND OEM EQUALIZER: Check to make sure the Equalizer Warepad is being held tight to the OEM Equalizer by the fastener.

3A Fasteners for the Equalizer Warepads are attached in 1 of 2 ways. Inspect each fastener installation.



3B If the Equalizer Warepad is tight to the Equalizer by its fastener (pictured above), the EQUALIZER WAREPAD INSPECTION IS COMPLETE. Please note: If the Warepad is tightened correctly, the washer that is directly on the Warepad will have a minor indentation into the polypad from the tightening process.

3C If the Equalizer Warepad fasteners are loose, proceed to Step 4.

4 WAREPAD FASTENER IS LOOSE::

4A Inspect Warepad drill hole.

4B If Warepad drill hole is round, proceed to Step 5.

4C If Warepad drill hole is oblong, STOP! Warepad will need to be replaced.



5 FASTENER INSPECTION: REPLACE FASTENERS IF:

- i. the bolt is bent or cracked.
- ii. the washer is over bent, buckled or inverted.
- iii. the head of the bolt is smashed or missing.
- iv. You remove the bolt during inspection.
- v. the fastener has been compromised in any way.



5B Contact EWP for replacement hardware. Fasteners are Grade 5. If fastener can be re-tightened, go to Step 6.

6 TIGHTENING FASTENERS: There is no torque for tightness. Re-tighten the fastener MANUALLY with a 3/8" Drive Ratchet Wrench and coordinating Drive Socket and Open End Box Wrench. Red Loctite Series 271 is recommended on the thread of the bolt. Maximum tightening is reached when the washer that is directly on the Warepad presses into the polypad surface to cause a minor indentation. The washer may bend slightly. DO NOT OVER-TIGHTEN to cause the washer to invert or buckle.

