

WAREPAD PART NUMBER: EWP PE - INSTALLATION INSTRUCTIONS

RECOMMENDED: Suspension should be in good working condition.

Warepads may be installed on the OEM Equalizer while on the trailer frame or off. Removing Equalizer from trailer frame is recommended when possible.

TIPS: DO NOT USE PRE-DRILLED OEM HOLES from the manufacturer. You must drill a 7/16" hole for proper hardware attachment. See Do's and Don'ts booklet at www.warepad.com for additional tips.

PREPARATION OF EQUALIZER WITH STEEL PAD:

- A:** When possible, remove existing wear pads, protection products, old existing welds and fasteners.
B: If installing Warepads over an existing wear pad, chamfer (sloping edge) and smooth down the edges of steel pad so that there are "NO SHARP EDGES". If Warepad is installed over a sharp object, it may cut the polypad and cause it to be damaged or fall out.
C: If Steel Pads, the thickness of each steel pad in all the hangers and equalizers must be the same thickness to maintain a level suspension. An unlevel suspension may cause excessive wear to the Warepads.



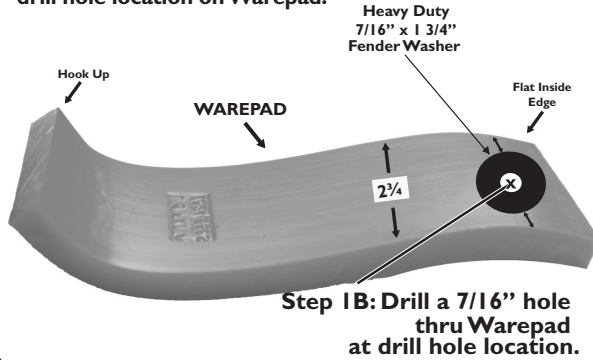
Attachment Hardware per Warepad:

- 1 - 7/16" x 1 1/2" Bolt
- 1 - 7/16" Self-Locking Nut
- 1 - 7/16" x 1 3/4" Heavy Duty Fender Washer
- 1 - 3/8" Flat Washer

OEM EQUALIZER OFF THE TRAILER FRAME: Equipment/Tools Needed for Installation:

- Adjustable Square Ruler
- 7/16" Drill Bit
- Drill Motor
- Marking Pen
- 5/8" & 11/16" Open End Box Wrench
- 3/8" Drive Ratchet Wrench
- 3/8" Drive 5/8" & 11/16" Socket
- Red Loctite Series 2ed Loctite Series 271

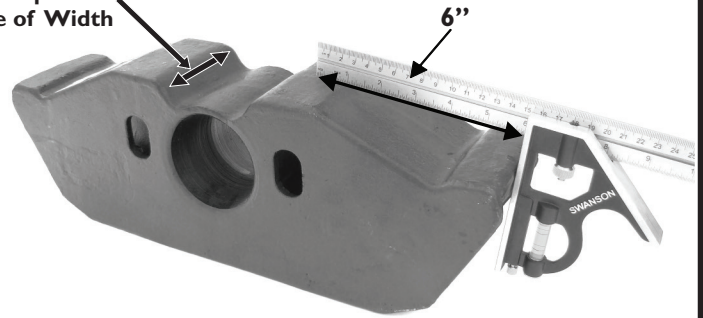
Step 1A: Turn Warepad so that hooked edge is facing up. Use the 7/16" x 1 3/4" Fender Washer as a guide to mark drill hole location on Warepad.



Step 1B: Drill a 7/16" hole thru Warepad at drill hole location.

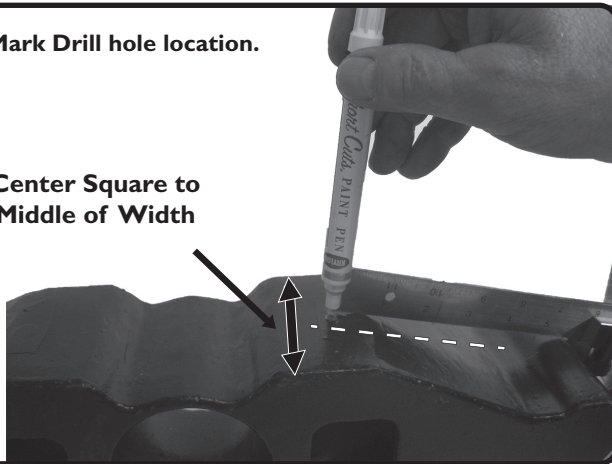
Step 2A: Drill hole is located 6" from inside 90 degree corner in the center of the middle of the width.

Center Square to Middle of Width



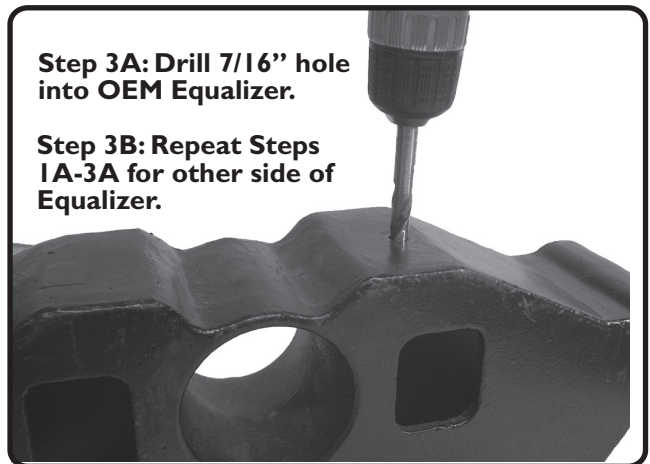
Step 2B: Mark Drill hole location.

Center Square to Middle of Width



Step 3A: Drill 7/16" hole into OEM Equalizer.

Step 3B: Repeat Steps 1A-3A for other side of Equalizer.



Steps 4A-C: FASTENER INSTALLATION/TIGHTENING.

4A: Use Red Loctite Series 271 on the thread of the bolt when installing fasteners.

4B: Install fasteners according to diagram in Step 5.

4C: Bolt Tightness. There is no torque for bolt tightness.

Snug the bolt. Bolt tension should be done MANUALLY with a 3/8" Drive Ratchet Wrench, 5/8" and 11/16" Open End Box Wrench and 3/8" Drive 5/8" and 11/16" Socket. Maximum tightening is reached when the Heavy Duty 7/16" x 1 3/4" Fender Washer presses into the polypad surface to cause a minor indentation. The washer may bend slightly.

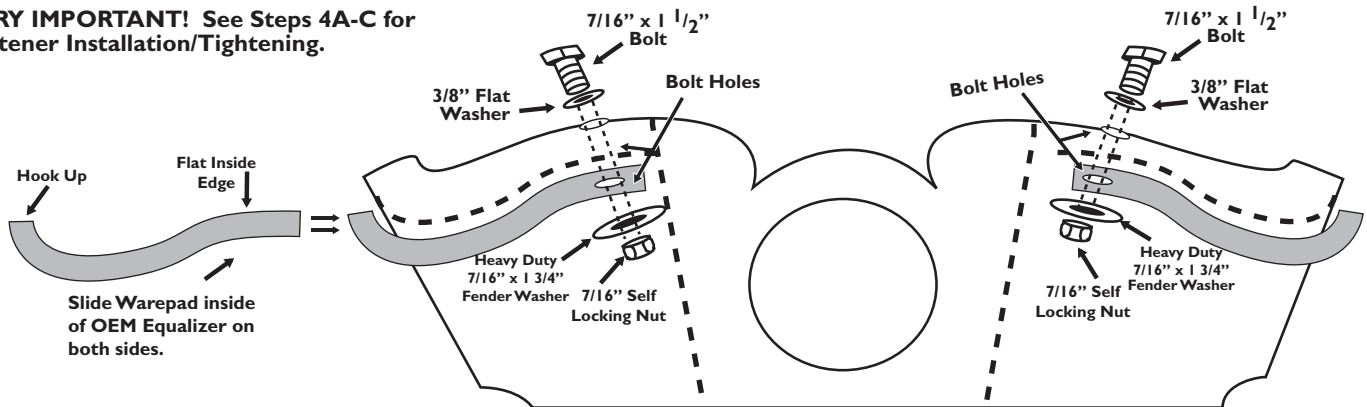
CAUTION! DO NOT OVER-TIGHTEN TO CAUSE the washer to invert or buckle.



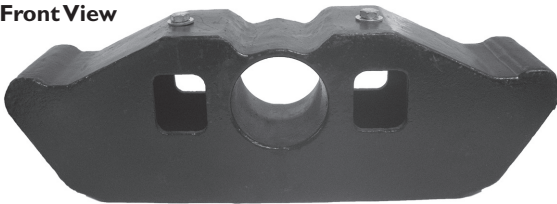
WAREPAD PART NUMBER: EWP PE - INSTALLATION INSTRUCTIONS

Step 5: Place Warepad into Equalizer. Line up holes. Hooked Edge of Warepad must face upward. Install fasteners MANUALLY (Steps: 4A-C) with Red Loctite Series 271 on the thread of the bolt.

VERY IMPORTANT! See Steps 4A-C for Fastener Installation/Tightening.



Front View



Hooked Edge of the Warepad must be Facing Upward

Hooked Edge of the Warepad must be Facing Upward

Underside View



EWP Maintenance Recommendation immediately after installation:

Once the weight of the suspension has been dropped back down upon the axles, it is recommended to re-check the fastener tightness. The weight of the suspension may cause the Warepad to compress.

If the Warepad is loose, re-tighten the fastener MANUALLY with a 3/8" Drive Ratchet Wrench, 5/8" & 11/16" Open End Box Wrench and 3/8" Drive 5/8" & 11/16" Socket so that the Warepad is being held tightly to the hanger or equalizer by the fastener system. There is no torque for tightness. Maximum tightening is reached when the washer that is directly on the Warepad presses into the polypad surface to cause a minor indentation. The washer may bend slightly. DO NOT OVER-TIGHTEN to cause the washer to invert or buckle.

It is recommended to inspect the Warepads during routine maintenance schedules and during PM's.

For complete Maintenance and Inspection Procedures please check Install Manual or visit: www.warepad.com.

WAREPAD PART NUMBER: EWP PE - INSTALLATION INSTRUCTIONS OEM EQUALIZER ON THE TRAILER FRAME

**WARNING! ALWAYS USE O.S.H.A APPROVED TRAILER LIFTS AND BLOCKING
WHEN RAISING OR WORKING UNDER ANY TRAILERS**

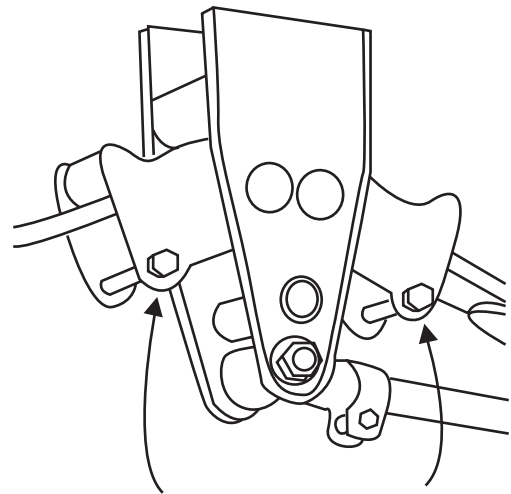
Equipment/Tools Needed for Installation:

- 2 - Wrenches
- 1 - Drill Motor with a 90 Degree Angle Head
- 1 - Shortened 7/16" Drill Bit
- 1 - 25 Ton Jack or Equivalent

Blocking to support and secure trailer from moving when working underneath.

1. To mark Warepad drilling hole location follow Installation Instructions Off the Trailer Frame: Steps 1A-B.

2. Remove the rebound bolts from both sides of the OEM Equalizer.



3. Raise the trailer so that you have enough clearance to rotate the OEM Equalizer fully to the stop. You can also rotate the OEM Equalizer by lifting only one axle until the OEM Equalizer is fully rotated.

4. To mark OEM Equalizer drilling hole location follow Installation Instructions Off the Trailer Frame: Steps 2A-B.

5. Drill a 7/16" hole into the OEM Equalizer by using a 90 degree angle drill motor and a shortened 7/16" drill bit.

6. To install EWP Warepads using bolt, washers and nut provided follow Installation Instructions Off the Trailer Frame: Step 4A-5.

7. Rotate the OEM Equalizer in the opposite direction fully to the other stop.

8. For other side of OEM Equalizer Repeat steps 1 and 3 through 6.

9. Lower the trailer and re-install the rebound bolts.

